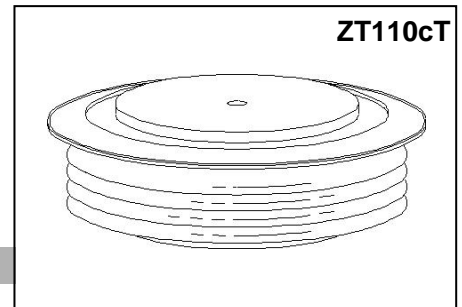




GENERAL PURPOSE HIGH POWER STANDARD RECTIFIER

Features:

- . All Diffused Structure
- . High Surge rating
- . Blocking capability up to 4500 volts
- . Ceramic Housing Hermetic Package
- . Pressure Assembled Device



ELECTRICAL CHARACTERISTICS AND RATINGS

Reverse Blocking

Device Type	V _{RRM} (1)	V _{RSM} (1)
ZP5200-36	3600	3800
ZP5200-38	3800	4000
ZP5200-40	4000	4200
ZP5200-42	4200	4400
ZP5200-45	4500	4700

V_{RRM} = Repetitive peak reverse voltage

V_{RSM} = Non repetitive peak reverse voltage (2)

Repetitive peak reverse leakage	I _{RRM}	5 mA 200 mA (3)
---------------------------------	------------------	--------------------

Notes:

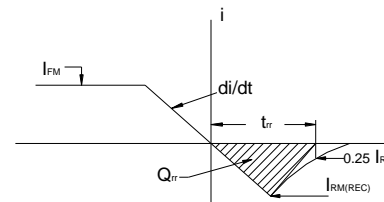
All ratings are specified for T_j=25 °C unless otherwise stated.

(1) All voltage ratings are specified for an applied 50Hz/60Hz sinusoidal waveform over the temperature range 0 to +150°C.

(2) 10 msec. max. pulse width

(3) Maximum value for T_j = 150°C.

(4) See parameter definition below:



REVERSE RECOVERY CHARACTERIST

Conducting - on state

Parameter	Symbol	Min.	Max.	Typ.	Units	Conditions
Average forward current	I _{F(AV)}		5200		A	Sinewave, 180°, T _c = 90°C
RMS forward current	I _{FRMS}		8164		A	Nominal value
Peak one cycle surge (non repetitive) current	I _{FSM}		78000		A	10 msec (50Hz), sinusoidal wave-shape, 180° conduction, T _j = 150 °C
I square t	I ² t		3 × 10 ⁷		A ² s	10 msec
Peak forward voltage	V _{FM}		1.35		V	I _{FM} = 5000A; T _j = 25°C
Threshold voltage	V _{FO}		0.8		V	T _j = 150°C, I = 0.5 π I _{F(AV)} to 1.5 π I _{F(AV)}
Slope resistance	r _F		0.086		mΩ	T _j = 150°C, I = 0.5 π I _{F(AV)} to 1.5 π I _{F(AV)}
Reverse Recovery Current (4)	I _{RM(REC)}				A	I _{FM} = 500 A; di/dt = -10 A/s; T _{jmax}
Reverse Recovery Charge (4)	Q _{rr}			7000	μC	I _{FM} = 500 A; di/dt = -10 A/s; T _{jmax}
Reverse Recovery Time (4)	t _{rr}				μs	I _{FM} = 500 A; di/dt = -10 A/s; T _{jmax}

Parameter	Symbol	Min.	Max.	Typ.	Units	Conditions
Operating temperature	T_j	-40	+150		°C	
Storage temperature	T_{stg}	-40	+150		°C	
Thermal resistance - junction to case	$R_{\Theta(j-c)}$		0.006		°C/W	Double sided cooled
Thermal resistance - case to heatsink	$R_{\Theta(c-s)}$		0.0015		°C/W	Double sided cooled
Mounting force	P	65	85	80	kN	
Weight	W			1.9	kg.	

* Mounting surfaces smooth, flat and greaseless

CASE OUTLINE AND DIMENSIONS

